

AFTERCARE INSTRUCTIONS

Excessive exposure to water will deteriorate the furniture. Wipe away any water splashes or condensation after use. Do not allow water to sit inside the drawers.

All bathrooms should be well ventilated. We recommend the installation of a suitable extractor fan.

Clean with a soft damp cloth only.

Use a wax free polish if one must be used.

COUNTERTOP

A care kit is available for purchase at Saneux.

Small scratches can be sanded out using wet and dry paper and small amounts of water. For larger scratches, use 80-100 grit sandpaper, increasing the grit until the scratch is gone.

CUSTOMER SERVICE

t: +44(0)208 686 5100
e: technical@saneux.com

Iain Stewart Centre, Beehive
Ring Road, Gatwick, RH6 0PB

www.saneux.com

FRONTIER

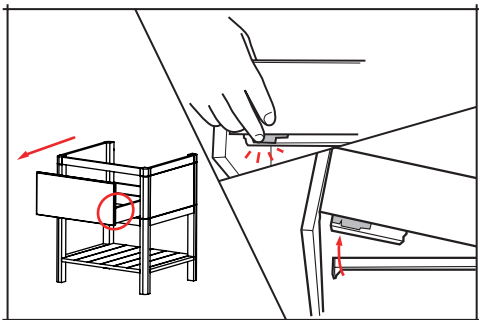
INSTALLATION INSTRUCTIONS



Floor Standing Furniture

FR060F - FR120DF
60cm / 120cm

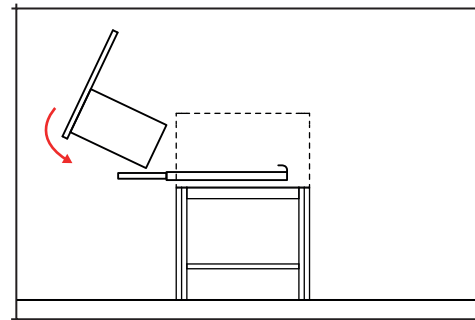
saneux



1.

Installing the handle:

Firstly, remove the drawer from the unit. Do this by fully extending the drawer. On the underneath of the drawer are two quick release clips that can be pushed to release the drawer from the runners.

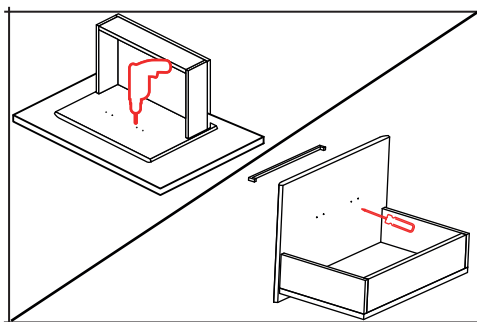


5.

To return the drawer to the unit, fully extend the runners. Tilt the drawer backwards and insert so that the runner intersects the rear of the drawer. Push the runner into the back of the drawer. Locate onto the pins at the front of the runners.

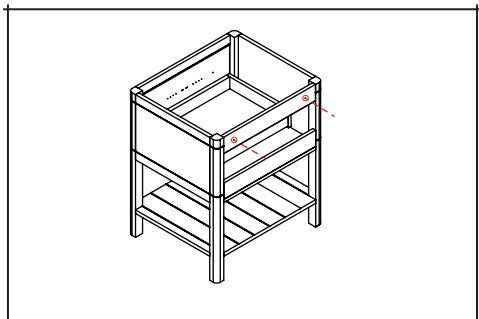
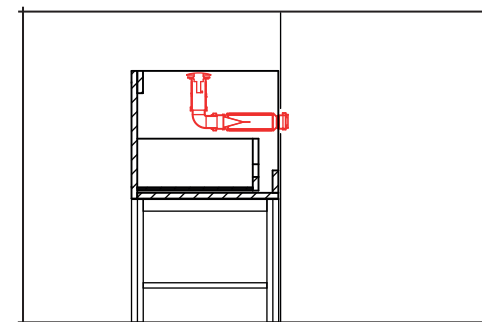
2.
Make sure to measure the handle hole width before drilling.

Drill the pilot holes for the handle width selected, using an **M3 drill bit**. To ensure the paint does not come off the front of any panels when drilling place the drawer (front face down) on a flat wooden board. Proceed to fit the handles to the unit using a screw driver.



6.

Make all plumbing connections and test for any leaks. We recommend the following saneux waste accessories:
WA005 - Low profile waste trap.
530S- Click waste.
WA006 - Super low profile waste trap & click waste.

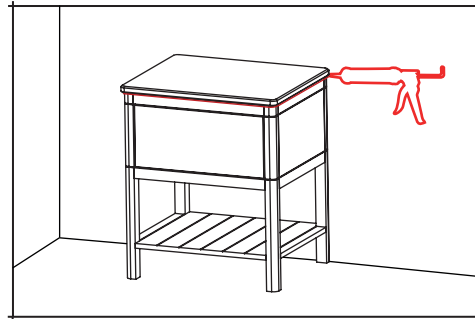


3.

Installing the unit:

Ensure the unit is level. If necessary, unscrew the adjustable feet until level.

Mark up the location of the fixing holes. Do this by offering the furniture unit up to the wall and use a pencil to mark the two holes.



7.

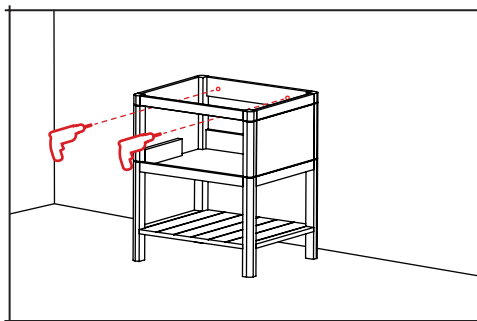
Having finished all plumbing connections, secure the countertop to the unit using a silicone sealant.

IMPORTANT: Seal the edges between the countertop and the furniture

4.

Drill the holes previously marked to a depth of 55mm using a suitable drill bit for the wallplugs. Next, fit the unit to the wall and fix using the screws provided. Do not overtighten.

The fixings provided are for solid walls, for hollow or stud walls use specialist fixings.

**Preparing the Countertop:**

Our matte Carrara countertops can be drilled and cut using standard drill bits and/or hole saws. Any rough edges can be sanded down with ordinary sandpaper.

